

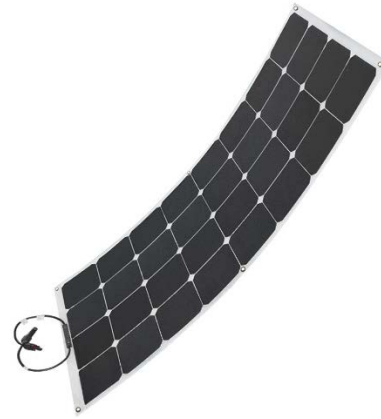
HQST – 100DB

100W Mono Bendable Solar Panel



Key Features

- Top Ranked PTC Rating
- High Module Conversion Efficiency
- Fast and Inexpensive Mounting
- Maximizes System output by reducing mismatch loss
- 100% EL testing on all HQST Solar Modules, Guaranteed no Hot Spots

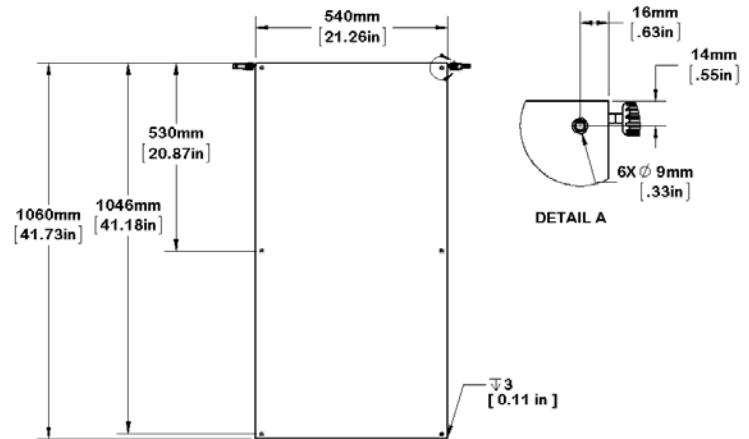


Electrical Characteristics

Maximum Power at STC (Pmax)	100 W
Optimum Operating Voltage (Vmp)	17.7 V
Optimum Operating Current (Imp)	5.70 A
Open Circuit Voltage (Voc)	21.7 V
Short Circuit Current (Isc)	6.10 A
Maximum System Voltage	600 VDC
Maximum Series Fuse Rating	10 A

STC: Irradiance 1000W/m², Temperature 25°C, AM =1

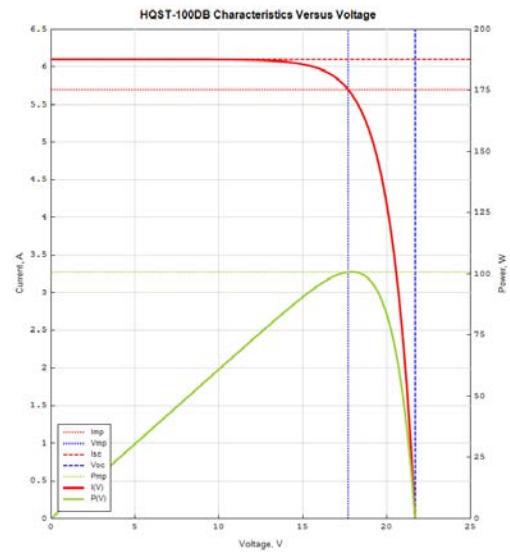
Module Diagram



Mechanical Properties

Solar Cell	Monocrystalline (125 x 125 mm)
# of Cells	32 (8 x 4 mm)
Dimensions	1060 x 540 x 3 mm (41.7 x 21.3 x 0.12 in)
Weight	2 kg. (4.4 lbs.)
Junction Box	IP65 Rated
Output Cables	14 AWG
Connectors	MC4 Connectors
Fire Rating	Class C

IV-Curve



Temperature Characteristics

Operating Module Temperature	-40°C to +80°C
Nominal Operating Cell Temperature (NOCT)	47±2°C
Temperature Coefficient of Pmax	-0.38%/°C
Temperature Coefficient of Voc	-0.28%/°C
Temperature Coefficient of Isc	0.06%/°C

